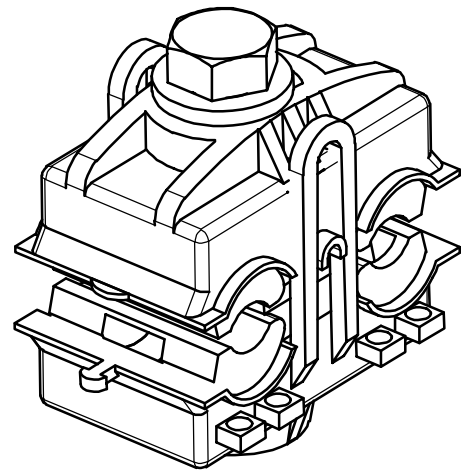
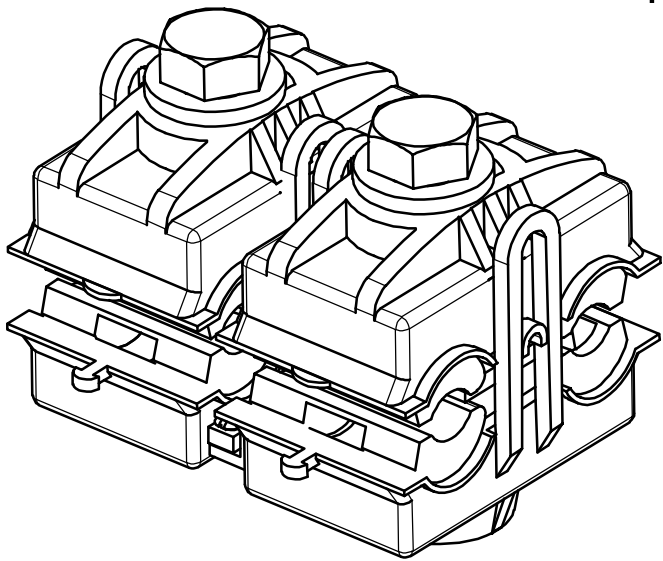


INSULATED PIERCING CONNECTOR RANGES



Application

- For insulated overhead distribution lines
- For servicing , street lighting and networking perm LV ABC

Optional

- . Supplied with stainless steel / HDG bolt and nut.
- . Supplied without torque controlled shear head bolt.
- . Supplied with plastic or metal shear head bolt.

Model No	Main Conductor mm ²	Tap Conductor mm ²	Hex (A/F) mm	Weight gm	Packing
ICBI 101	100 - 10 BARE	185 - 95	2X13	425	10
ICBI 102	100 - 10 BARE	70 - 16	13	226	10

DATA SHEET NO: ICBI 00 R00

OMNIPRO INDUSTRIES SDN.BHD

PT 3316, Jalan Permata 1/1, Arab Malaysian Industrial Park, 71800 Nilai, Malaysia.

Tel: 606 - 799 5520 Fax: 606 - 799 5543 E-mail: oisb@omnipro.com.my Web: www.omnipro.com.my