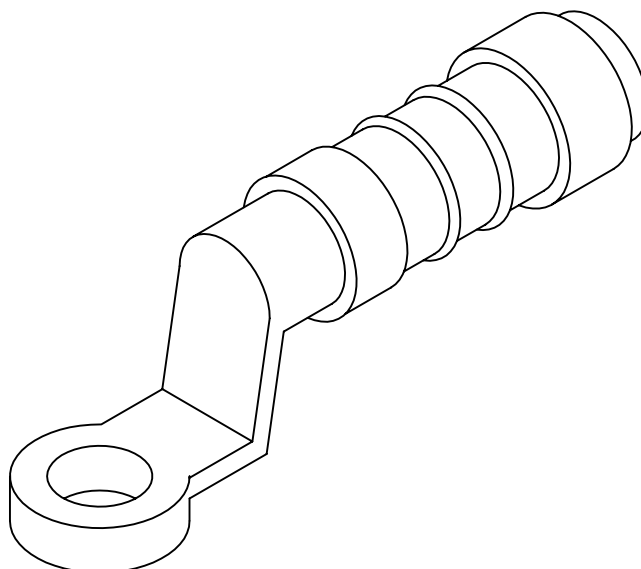


PREINSULATED BIMETAL COMPRESSION LUG



RANGES



Application.

PBCL of this design are used when aluminium conductors are to be terminated on busbar or terminal that are made of copper.

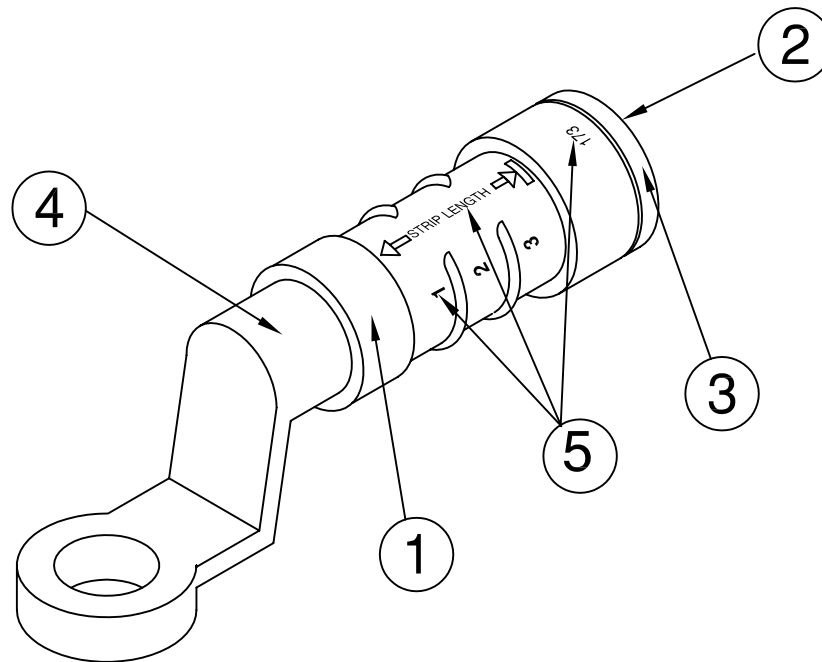
Model No	Conductor (mm ²)	Colour	Die	Packing
PBCL 101	16	Blue	E140	20
PBCL 102	25	Orange	E140	20
PBCL 103	35	Red	E173	20
PBCL 104	50	Yellow	E173	20
PBCL 105	54.6	Black	E173	20
PBCL 106	70	White	E173	20
PBCL 107	95	Grey	E173	20
PBCL 108	120	Pink	E173	20
PBCL 109	150	Violet	E215	20
PBCL 110	185	Brown	E215	20

DATA SHEET NO: PBCL 01 R01

PREINSULATED BIMETAL COMPRESSION LUG



FEATURES



1. Body

It is fully insulated and moulded from high quality climatic and UV resistant polyamide . It will not crack or chip off after compression.

2. Polymer Seals

Made from high quality elastomer and prefilled with silicon grease for long term moisture protection.

3. Colour Ring

End coloured indicator to identify the conductor size easily.

4. Friction Welding

The copper palm and aluminium tube is friction weld to prevent galvanic corrosion with good mechanical and electrical joint.

5. Marking

The number of compression and its order of compressions ,the length of conductor to be stripped and die size.

6. Design

Watertight to IP 68 and to withstand 6 kV for 1 minute under 300mm of water.Suitable for both copper and aluminium conductor. The aluminium tube is prefilled with contact grease for good electrical and machanical contact.

DATA SHEET NO: PBCL 02 R01

OMNIPRO INDUSTRIES SDN.BHD

PT 3316, Jalan Permata 1/1, Arab-Malaysian Industrial Park, 71800 Nilai, Malaysia.

Tel: 606 - 799 5520 Fax: 606 - 799 5543 E-mail: oisb@omnipro.com.my Web: www.omnipro.com.my