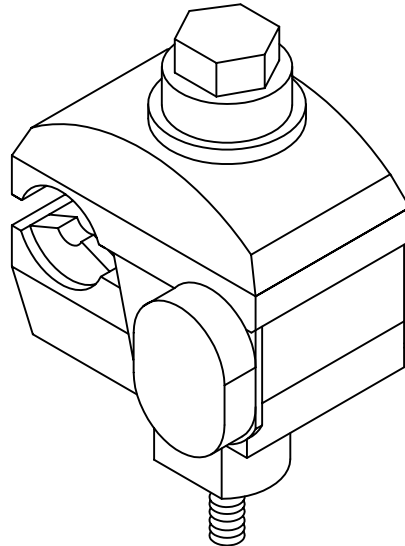


INSULATED PIERCING CONNECTOR



RANGES



Application

IPC of this design is when both the main and tap conductors are tighten simultaneous whereby the teeth of the contact plates penetrate the insulation and establish a contact which is resistant to permanent current.

Optional

- . Supplied with stainless steel bolt and nut.
- . Supplied without torque controlled shear head bolt.

Model No	Main Conductor mm ²	Tap Conductor mm ²	Hex (A/F) mm	Weight gm	Packing
IPC 101	95 - 70	25 - 16	13	114	10
IPC 102	95 - 70	95 - 70	13	115	10
IPC 103	185 - 120	25 - 16	17	249	10
IPC 104	185 - 120	185 - 70	17	506	10
IPC 105	95 - 16	95 - 16	13	115	10
IPC 106	185 - 70(35)	35 - 6 (50 - 6)	13	112	10
IPC 107	120 - 16	16 - 1.5	13	125	10
IPC 108	95 - 16	50 - 10 (6)	13	110	10
IPC 109	120 - 6	6 - 1.5	13	110	10
IPC 110	35 - 6	35 - 6(1.5)	13	112	10

DATA SHEET NO: IPC 01 R03

OMNIPRO INDUSTRIES SDN.BHD

PT 3316, Jalan Permata 1/1, Arab Malaysian Industrial Park, 71800 Nilai, Malaysia.

Tel: 606 - 799 5520 Fax: 606 - 799 5543 E-mail: oisb@omnipro.com.my Web: www.omnipro.com.my