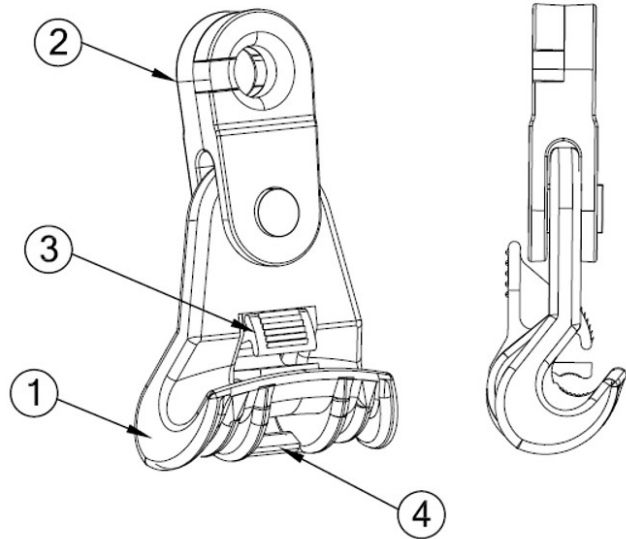


SUSPENSION CLAMP



The Suspension Clamp is designed to support and secure low-voltage overhead cables while allowing for controlled movement and vibration resistance. Crafted from robust, weather-resistant materials, it offers excellent mechanical performance and long-term durability.

These accessories are suitable for outdoor use in tropical zones, capable of withstanding a maximum ambient temperature of approximately 40°C and an average annual temperature of 28°C, with high humidity and frequent heavy rainfall.



FEATURES

Application

SC of this design is for supporting the neutral messenger of conductors up to angles of 30 deg at intermediate pole position.

1. Body

Moulded from high quality mechanical, climatic and UV resistant glass reinforced polyamide material.

2. Mechanical Fusible Link.

Moulded from high quality mechanical, climatic and UV resistant glass reinforced polyamide material. It is design to snap break at a designed load and be "locked" during vertical load on the conductor.

3. Clamp

Moulded from polyamide material, to hold the conductor in place with its grooved design.

4.Support

To support the phase conductors with the help of cable ties.

5. Design

No tools are required and it allows easy and quick installation all components are fully captive and corrosion resistant. Dielectric strength - 6kV.

Model No	Conductor Range (mm ²)	Working Load (kN) (Min)	Weight (kg)	Packing
SC 101 - L	25 - 120	12.0	0.277	60

