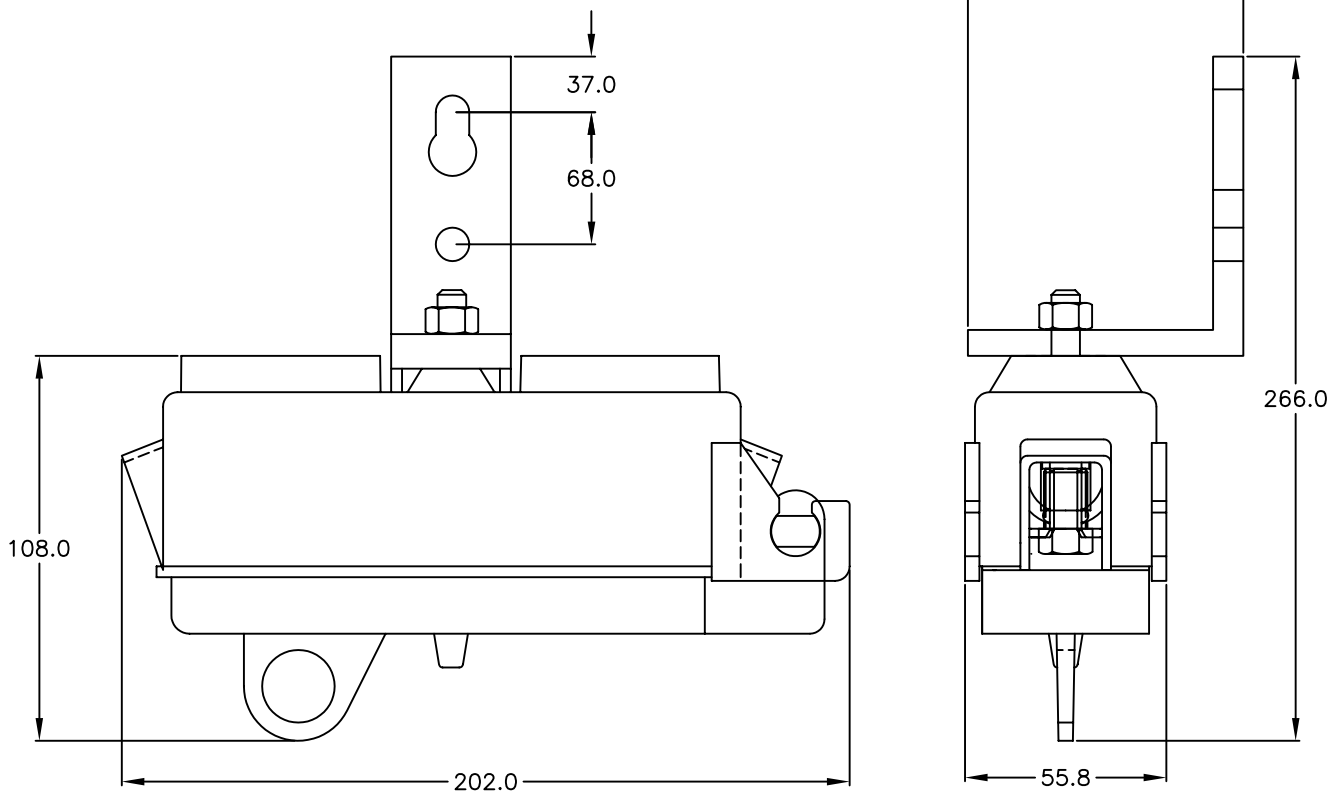


FUSE SWITCH DISCONNECTOR LOW VOLTAGE 1 POLE 160A



RANGES



Application

FSD of this design is a 1 pole, 160A, Single Pole Operated for protection and Isolation of service insulated cables, disconnection of a network section, connection of network section, protection of service feeders from transformers or change of conductor cross section .

Design

1. Type Tested by ASTA
2. Design of protection IP 2L4 (IP23)
3. Utilisation Category AC22B
4. Use Copper Links to replace Fuse Links for FSD to act as an Isolator
5. Fuse Indicator by means of black /yellow sliding tag

Ref No	Terminal Design	Weight (gms)	Packing
116011	Pressure Pad 1 x 95	0.900	1
116012	Pillar 1 x 95	0.900	1
116013	IPC 1 x 95	0.900	1
116014	Pillar 1 x 95, 1 x 10	0.900	1

DATA SHEET NO: FSD 06 R01

OMNIPRO INDUSTRIES SDN.BHD

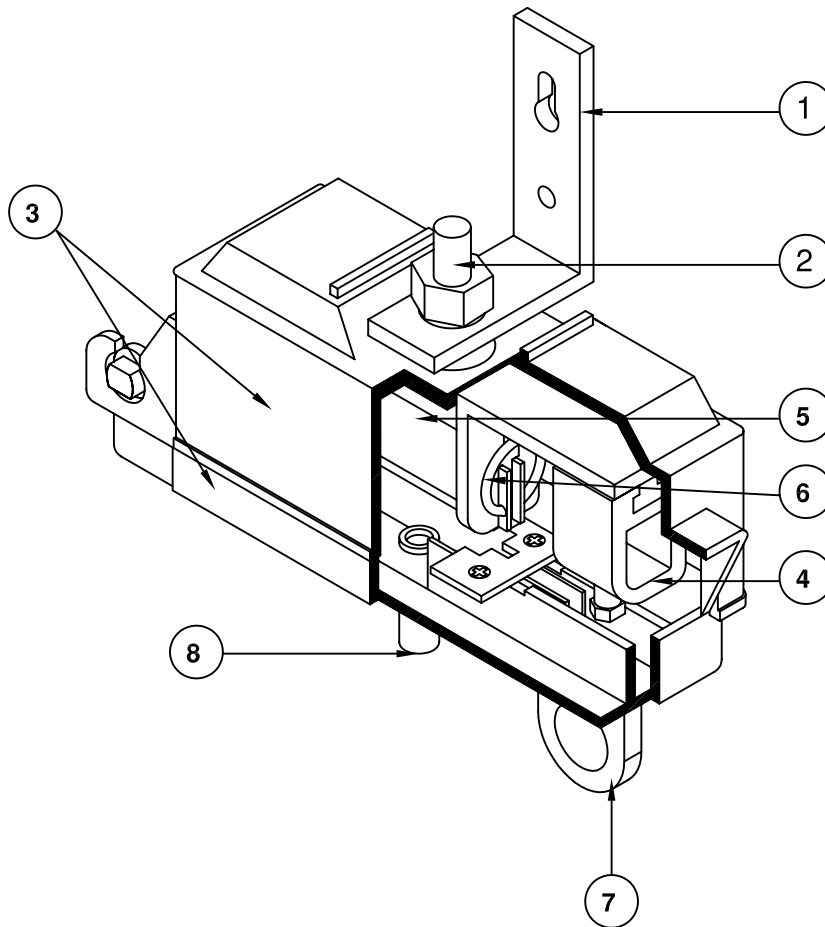
PT 3316, Jalan Permata 1/1, Arab-Malaysian Industrial Park, 71800 Nilai, Malaysia.

Tel: 606 - 799 5520 Fax: 606 - 799 5543 E-mail: oisb@omnipro.com.my Web: www.omnipro.com.my

FUSE SWITCH DISCONNECTOR LOW VOLTAGE 1 POLE 160A



FEATURES



1. Bracket

Made from Hot Dipped Galvanised Steel.

2. Mounting Bolt

Made from Hot Dipped Galvanised Steel.(Optional stainless steel)

3. Housing

Upper Body, Lower Body, Fuse Shroud made from high quality insulated mechanical, climatic UV resistant glass reinforced polyamide material.

4. Terminal

Made from Aluminium Alloy 6061 and in various design and conductor range

5. Fuse Link

Suitable for DIN type fuse NH00

6 Fuse Clip

Tinned Copper Clip are lubricated for ease of fuse fixing and with stainless steel spring clip for constant pressure for low resistance

7. Operation

Hook type for operation of Lower Body.

8. Indicator

LED to Indicate Fuse Blown (optional)

DATA SHEET NO: FSD 05 R01

OMNIPRO INDUSTRIES SDN.BHD

PT 3316, Jalan Permata 1/1, Arab-Malaysian Industrial Park, 71800 Nilai, Malaysia.

Tel: 606 - 799 5520 Fax: 606 - 799 5543 E-mail: oisb@omnipro.com.my Web: www.omnipro.com.my