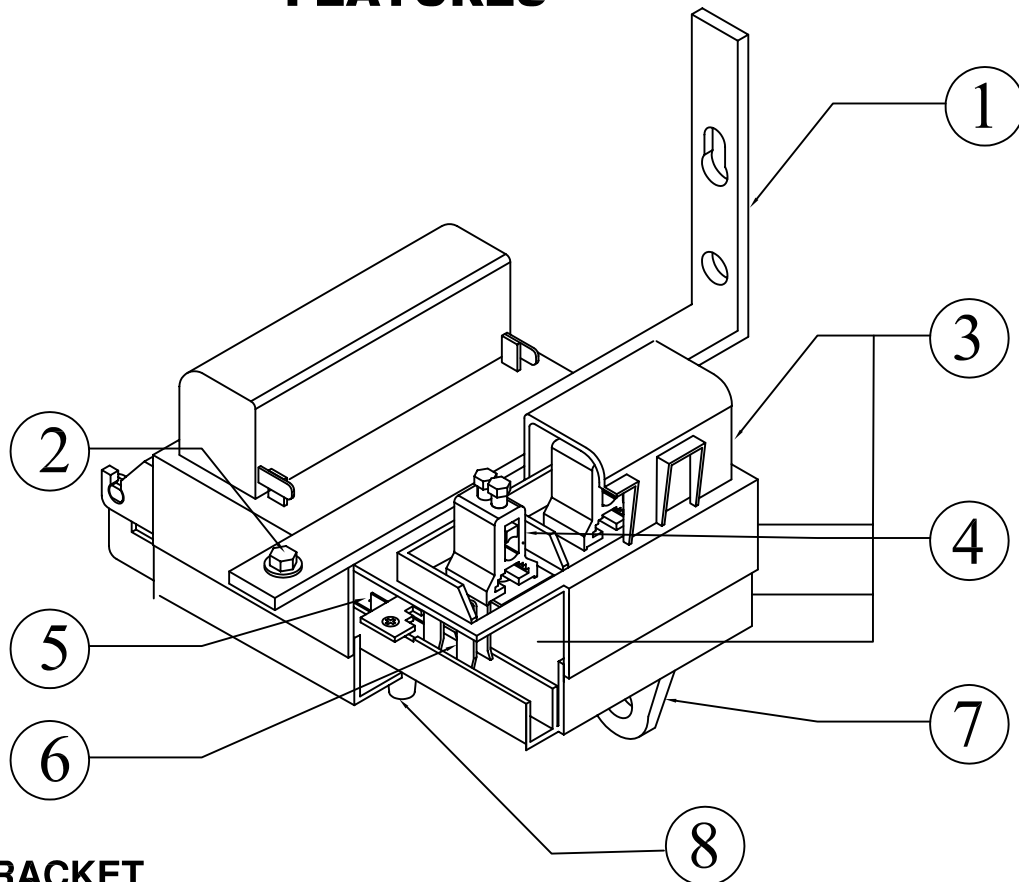


# FUSE SWITCH DISCONNECTOR LOW VOLTAGE 3 POLE 400A



## FEATURES



### 1. BRACKET

Made from Hot Dipped Galvanised Steel.

### 2. Mounting Bolt

Made from Hot Dipped Galvanised Steel.(Optional stainless steel )

### 3. Housing

Terminal Cover,Upper body,Lower body, Fuse shroud made from high quality insulated mechanical,climatic UV resistant glass reinforced polyamide material.

### 4. Terminal

Made from Aluminium Alloy 6061 and in various design and conductor range

### 5. Fuse Link

Suitable for DIN type fuse NH1 and NH2

### 6. Fuse Clip

Tinned Copper Clip are lubricated for ease of fuse fixing and with stainless steel spring clip for constant pressure for low resistance.

### 7. Operation

Hook type for operation of Lower Body

### 8. Indicator

LED to Indicate Fuse Blown(optional)

DATA SHEET NO:FSD 01 R01

OMNIPRO INDUSTRIES SDN.BHD

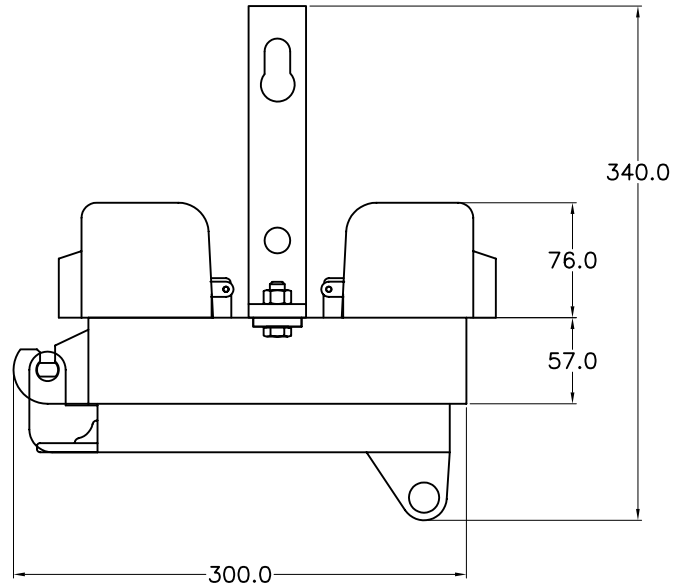
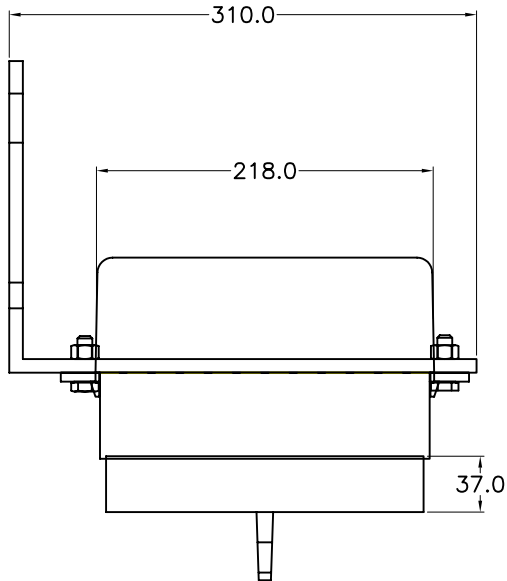
PT 3316, Jalan Permata 1/1, Arab-Malaysian Industrial Park, 71800 Nilai, Malaysia.

Tel: 606 - 799 5520 Fax: 606 - 799 5543 E-mail: oisb@omnipro.com.my Web: www.omnipro.com.my

# FUSE SWITCH DISCONNECTOR LOW VOLTAGE 3 POLE 400A



## RANGES



### Application

FSD of this design is a 3 pole, 400A, Ganged Operated for protection and Isolation of service insulated cables, disconnection of a network section, connection of network section, protection of service feeders from transformers or change of conductor cross section

### Design

1. Type Tested by ASTA.
2. Design of protection IP 2L4 (IP23)
3. Utilisation Category AC22B
4. Standard IEC 60947-3
5. Use Copper Links to replace Fuse Links for FSD to act as an Isolator
6. Fuse Indicator by means of black/yellow sliding tag

Ref No	Terminal Design	Weight (kgs)	Packing
340011	Pressure Pad 1X185	6.10	1
340012	Pillar 1 x 185	6.10	1
340013	Pillar 1 x 300	6.10	1
340014	Pillar 2 x 95	6.10	1
340015	Sector 1 x 300	6.10	1
340016	Bolted - Stud M10	6.10	1
340017	Bolted 1 x 240	6.10	1
340018	IPC 2 x 95	6.10	1

DATA SHEET NO:FSD 02 R04

OMNIPRO INDUSTRIES SDN.BHD

PT 3316, Jalan Permata 1/1, Arab Malaysian Industrial Park, 71800 Nilai, Malaysia.

Tel: 606 - 799 5520 Fax: 606 - 799 5543 E-mail: oisb@omnipro.com.my Web: www.omnipro.com.my