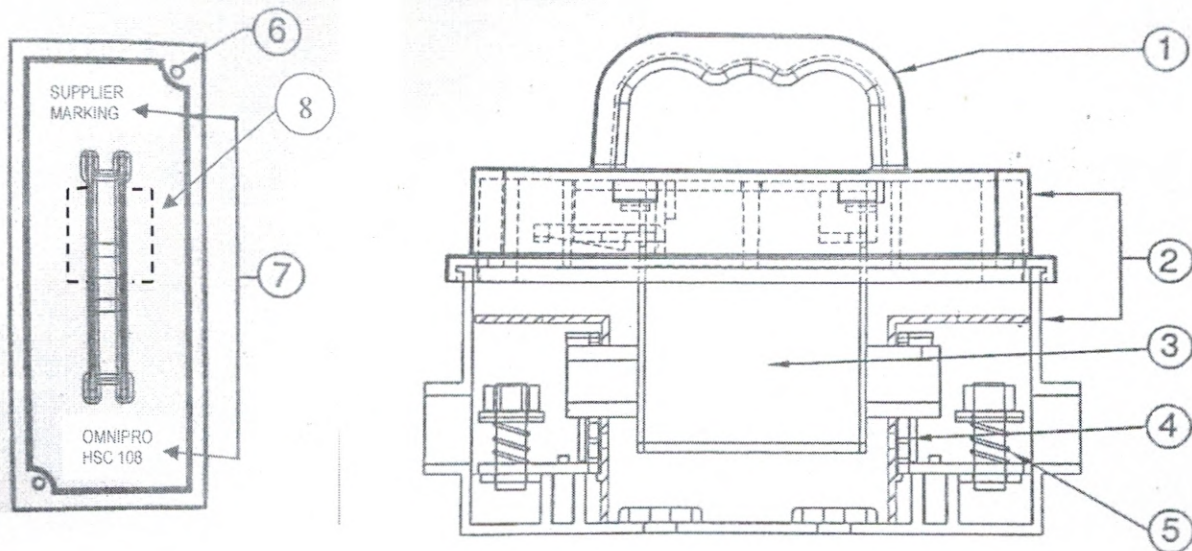


LV CUT OUT FUSE SWITCH DISCONNECTOR FEATURES



1. OPERATION

Handle to open cover for Fuse Link Installation and replacement

2. HOUSING MATERIAL

Base, Cover and Terminal Shroud made from high quality insulated mechanical, climatic, UV resistant and fire retardant glass reinforced polyamide.

3. FUSE LINK

Suitable for DIN type fuse NH 000(maximum 100A)

4. FUSE CLIP

Cable Clip are lubricated for ease of fuse fixing and with stainless steel spring clip for constant pressure and low resistance.

5. CABLE TERMINAL

Indirect pressure type made from Silver plated Aluminium Alloy and Unplated Copper with Stainless Steel screw.

6. SEALING

Sealing wire facility to prevent unauthorized tempering of the cover and base.

7. MARKING

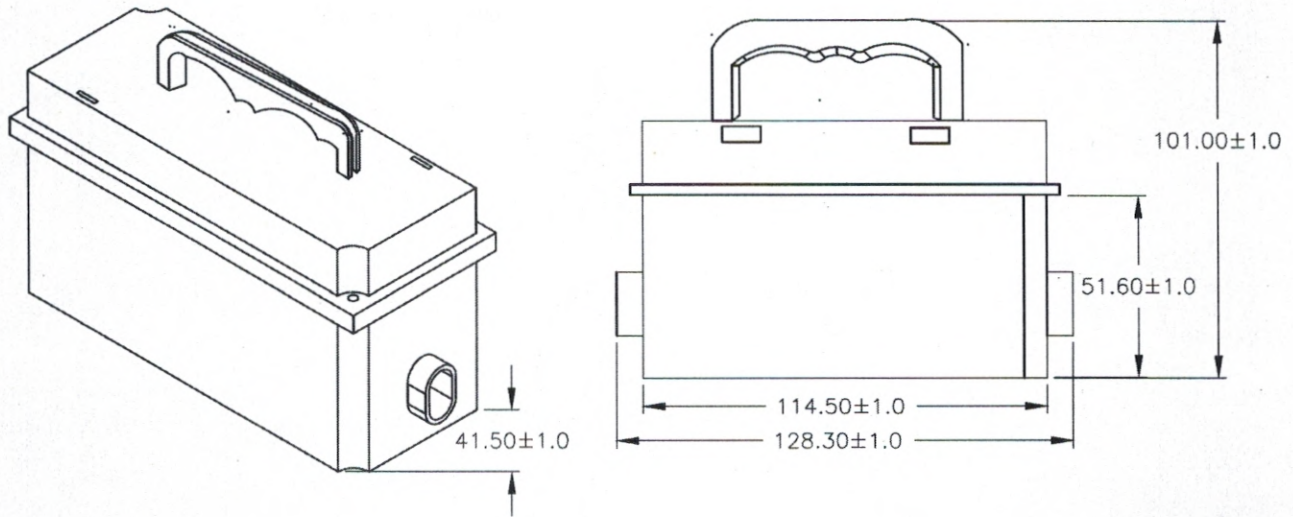
Brand Name, Model No and other technical data of the manufacturer.

8. WINDOW

Transparent window for fuse link viewing and checking.

DATA SHEET NO. HSC 108 01 R01

LV CUT OUT FUSE SWITCH DISCONNECTOR RANGES



Application

This LV Cut Out Fuse Switch Disconnecter is used for connection and isolation of incoming electricity supply from the power utility to customer premises. It is installed on the customer meter board and use with DIN Type NH 000 Fuses up to 100A.

Design

1. Type Tested.
2. Design of protection IP 20
2. Standard IEC 60947-1, IEC 60947-3, IEC 60269

Ref No	Terminal Design	Weight (kgs)	Packing
HSC 108	Pressure Pad Terminal	0.192	Inner Box - 1 Outer Box - 10

DATA SHEET NO: HSC108 02 R01