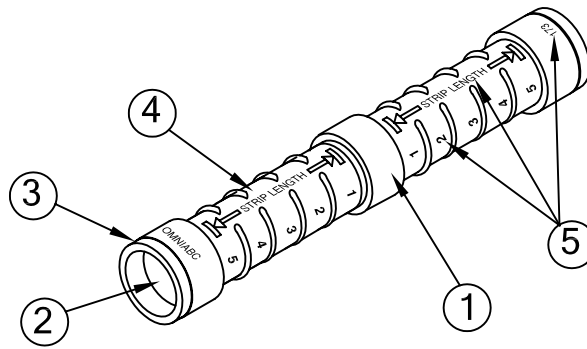


PREINSULATED INLINE ALUMINIUM SLEEVE



1. Body

It is fully insulated and moulded from high quality climatic and UV resistant polyamide . It will not crack or chip off after compression.

2. Polymer Seals

Made from high quality elastomer and prefilled with silicon grease for long term moisture protection.

3. Colour Ring

End coloured indicator to identify the conductor size easily.

4. Sleeve - Inner

The aluminium sleeve made from high conducting material and brushed with contact grease for good electrical and mechanical contact.

5. Marking

The number of compression and its order of compressions ,the length of conductor to be stripped and die size.

6. Design

Watertight to IP 68 and to withstand 6 kV for 1 minute under 300mm of water.Suitable for both copper and aluminium conductor. Crimping is done by hexagonal shaped compression die without damaging the conductor strand and for low resistance.

7. Application.

PIAS of this design are used for the connection of tension conductors in the extension, repairing and replacement of insulated conductors.

Model No	Conductor (mm ²)	Colour	Die	Packing
PIAS 105 T	54.6 - 54.6	Black - Black	E173	100

PIAS of this design are used for the connection of non tension conductors in the extension, repairing and replacement of insulated conductors.

Model No	Conductor (mm ²)	Colour	Die	Packing
PIAS 101	16 - 16	Blue - Blue	E140	250
PIAS 105	70 - 70	White - White	E173	150

DATA SHEET NO: PIAS 05 R01

OMNIPRO INDUSTRIES SDN.BHD

PT 3316, Jalan Permata 1/1, Arab Malaysian Industrial Park, 71800 Nilai, Malaysia.

Tel: 606 - 799 5520 Fax: 606 - 799 5543 E-mail: oisb@omnipro.com.my Web: www.omnipro.com.my